

# Installation and User Manual

The MV-VS1 is a mechanical video and audio switching device used to increase the number of inputs to the VCR providing greater system flexibility and ease of use. Follow the enclosed diagrams to make proper connections.

## Installation

The MV-VS1 has 3-way mounting capability. It can be mounted under the dash or under a ledge, on the floor or on top of a ledge and it can also be panel mounted in a cabinet, console or wall.

### Installation Notes:

1. Choose a mounting location that provides easy access by the end user.

2. Choose a solid mounting surface that will withstand the pulling and pushing force when the end user is plugging in and disconnecting devices.
3. If panel mounting, follow the recommendations in point #2. The mounting surface must be able to withstand the pulling and pushing force.

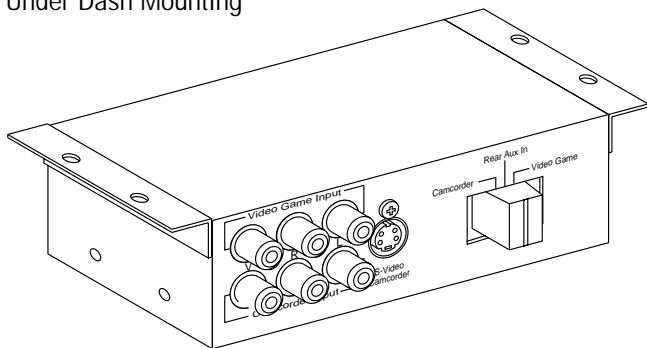
### Surface Mounting:

Use the "L" brackets provided to secure the MV-VS1 into place. The brackets can be placed at the top of the MV-VS1 cabinet for under dash or under ledge mounting or at the bottom of the cabinet for floor or surface mounting. DO NOT mount the MV-VS1 on uneven surfaces which will cause the brackets or chassis to bend or flex excessively.

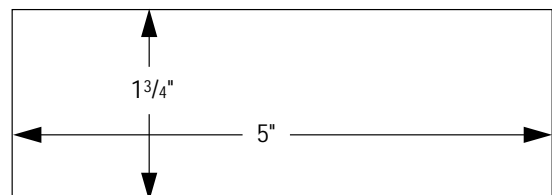
### Panel Mounting:

Remove the "L" brackets from the MV-VS1 housing and slip on the panel mount adapter. Use the screws you removed from the "L" brackets to secure the panel mount adapter to the MV-VS1 chassis. You must cut a hole in the mounting surface approximately 5" x 1-3/4" in size.

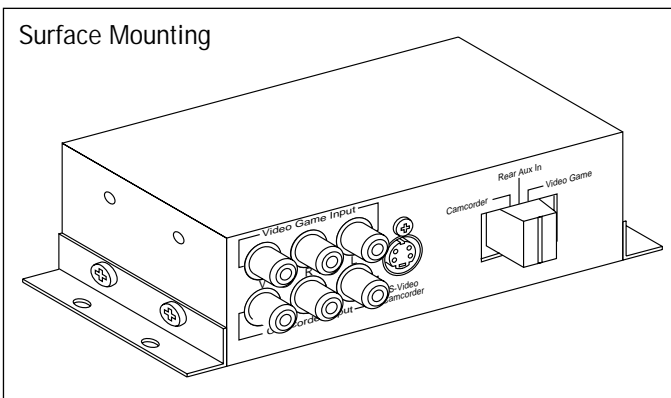
Under Dash Mounting



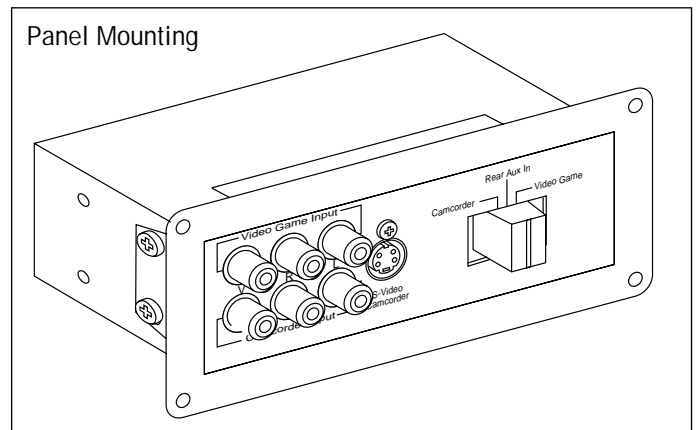
Hole Opening



Surface Mounting



Panel Mounting



## Connection and Operation

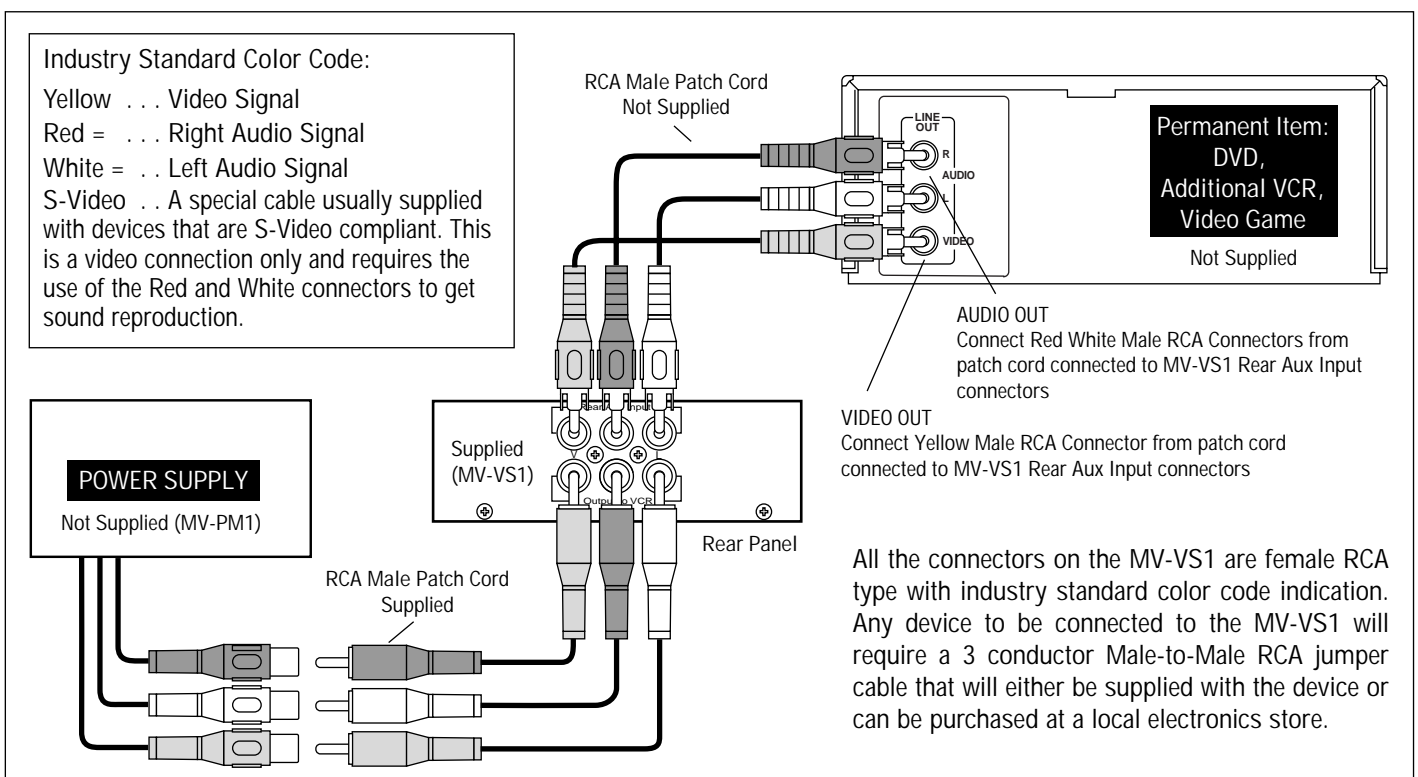
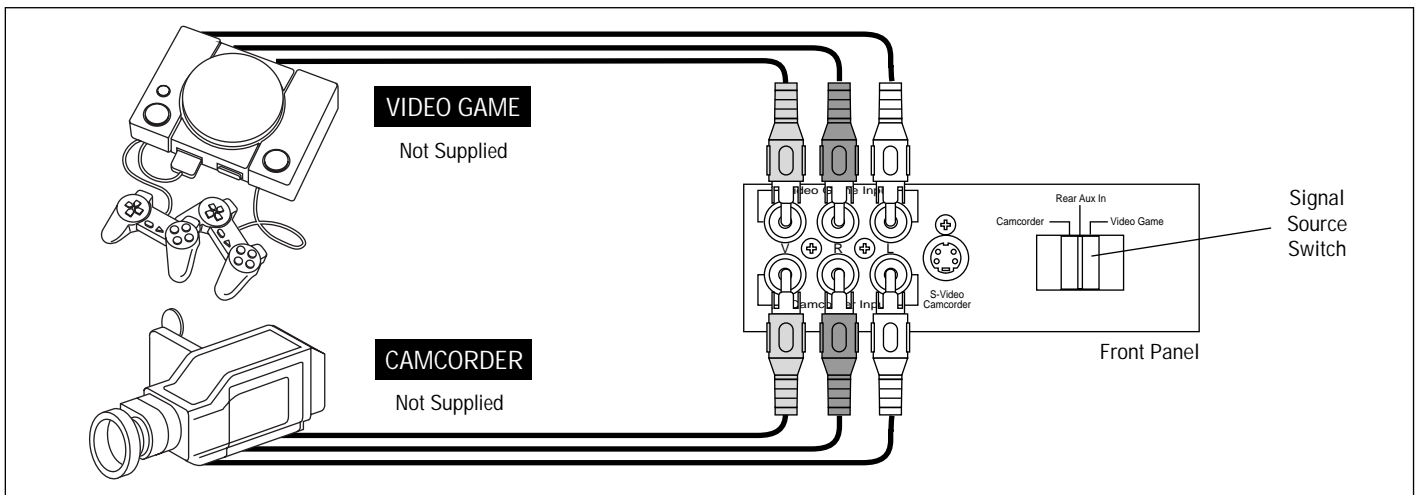
1. A 6 foot long RCA male patch cord is provided with the MV-VS1 to make the connection from the MV-VS1 output on the rear panel to the MovieVision Power Supply MV-PM1. Some installations may require a longer cable which can be purchased at a local electronics store.
2. The "Rear Aux Input" of the MV-VS1 is typically reserved for permanent items that will not be removed from the vehicle such as a video game controller, DVD or second VCR.
3. The front panel connections are typically for non-permanent items that will be removed from the vehicle such as a video game controller or camcorder. Provided are separate inputs for a video game controller and a camcorder. There is also a "S-Input" for those camcorders that have S-Video output.

4. The 3 position switch on the front panel is used to select the signal source to the MovieVision system.

Note for MovieVision System 1000 : For an auxiliary source to be seen on the viewing screen and heard over the headphone or car radio, the VCR must be turned on and if there is a tape inserted it must be stopped or ejected.

Note for MovieVision System 1002 : The VCR input selection MUST be set to "Line-In" to allow the audio and video signals from the MV-VS1 to be seen on the viewing screen and heard over the headphones or car radio.

Note for Systems other than MovieVision : Consult the users manual from the VCR for required settings for an auxiliary source.



All the connectors on the MV-VS1 are female RCA type with industry standard color code indication. Any device to be connected to the MV-VS1 will require a 3 conductor Male-to-Male RCA jumper cable that will either be supplied with the device or can be purchased at a local electronics store.